

ANDRONACO S.A.S.

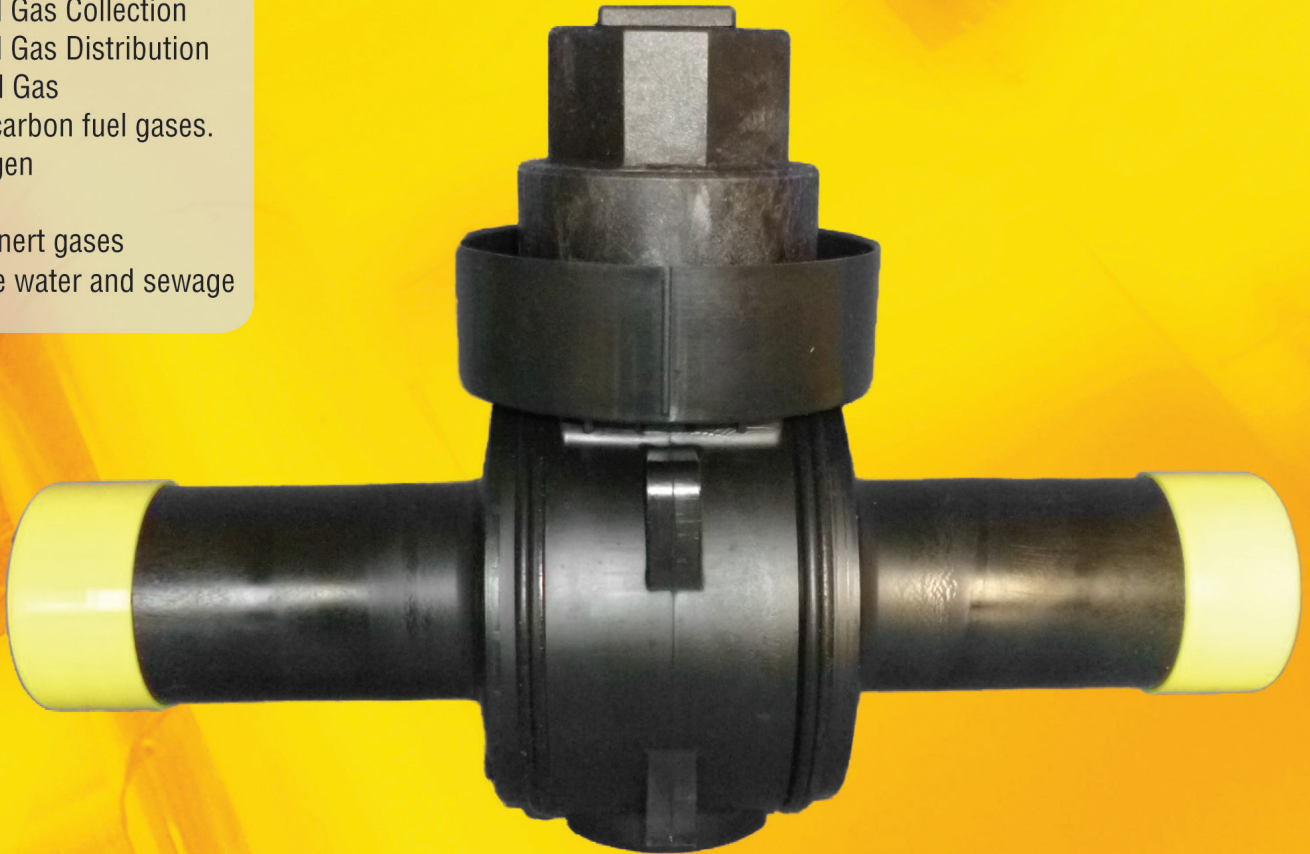
POLYETHYLENE VALVES FOR NATURAL GAS

www.AndronacoSAS.com

Applications:

For use in:

- Natural Gas Collection
- Natural Gas Distribution
- Landfill Gas
- Hydrocarbon fuel gases.
- Hydrogen
- Air
- Other inert gases
- Potable water and sewage



The Original is Still The Best!

Over 3,000,000 Sold!

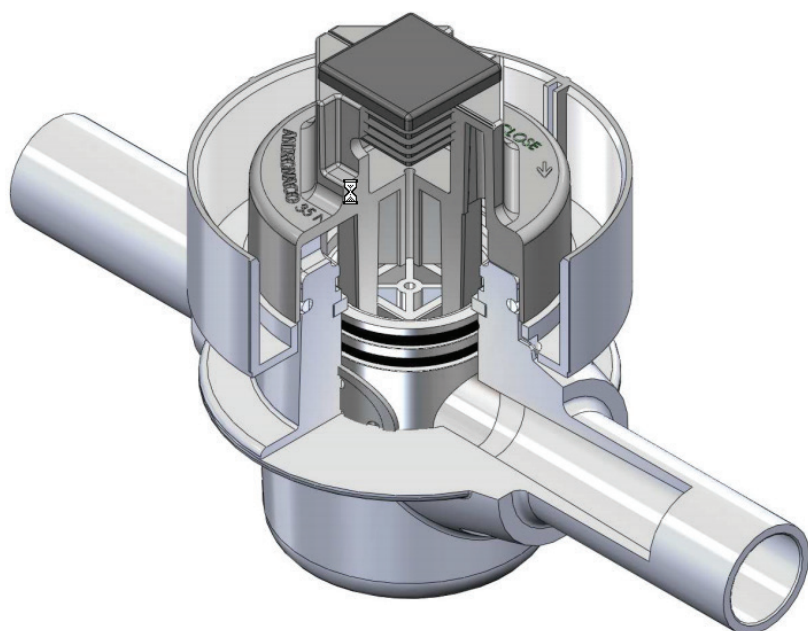


Polyethylene Cylindrical and Spherical Valves

Range from dn 20 to 40mm, standard or full port version, connected to pipe through :

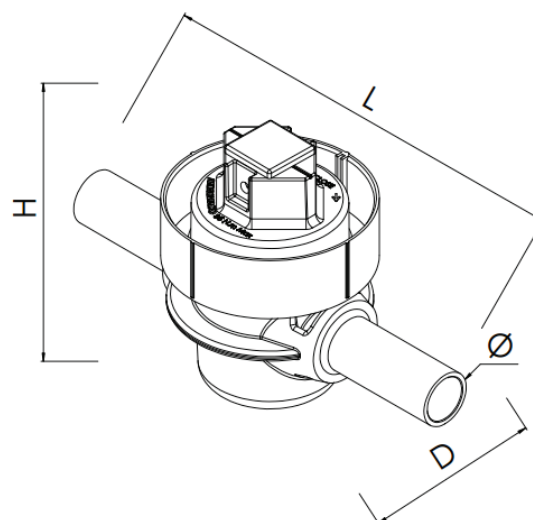
- Butt Fusion
- Electro-Fusion
- Mechanical Connection

Poly-Gas™ Poly-Water™ Cylindrical and Spherical Valves for Natural Gas and Water

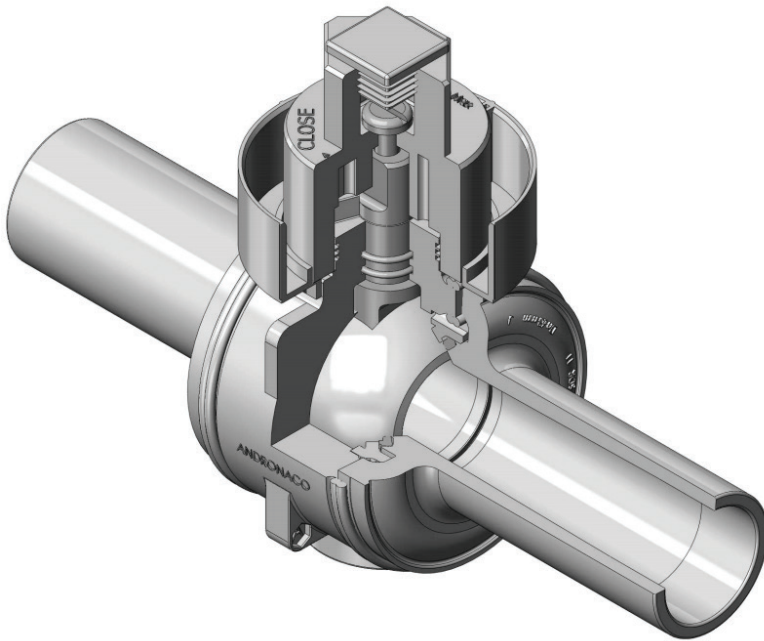


- Dimensions 20 to 40mm
- No metal part
- One piece body shell
- Double up and downstream tightness
- Operating system is combined into a single rugged part made of moulded high strength plastic.

Ø	H (mm)	L (mm)	D (mm)	KG
20	155	263	75	0.900
25	155	263	75	0.905
32	155	263	75	0.920
40	155	263	75	0.930



Polyethylene Cylindrical and Spherical Valves

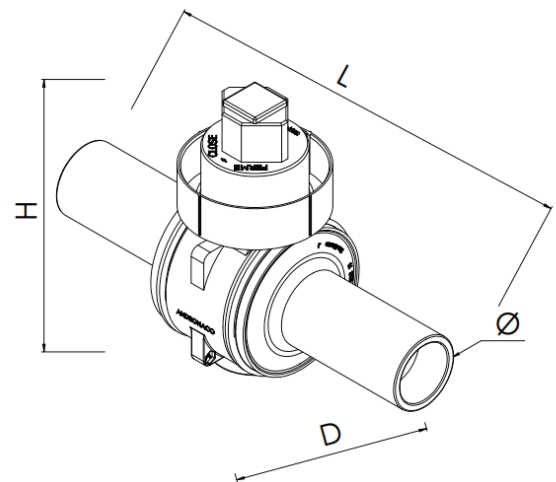


Ø	H (mm)	L (mm)	D (mm)	KG
50	230	360	120	1.85
63	225	350	120	1.90
75	350	360	120	1.95
90	230	350	120	2.25
110	275	390	180	3.95
125	280	397	780	4.05

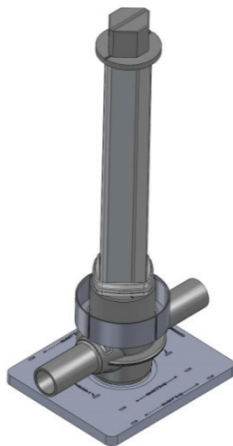


- Dimension 50 to 400mm, SDR 11, 17.6....
- No metal parts
- Butt-fused body shell
- Double up and downstream tightness

Ø	H (mm)	L (mm)	D (mm)	KG
160	360	550	230	9.15
180	360	550	230	9.80
200	360	550	230	10.65
225	470	880	300	25.00
250	560	1180	350	50.00
315	750	1350	550	138.00



Our valves have been installed since 1976 and are in use throughout the world, several options are available, such as:



Pieces	Cylindrical Valve	Spherical Valve
Body	PE 100	PE 100
Plug/Ball	Acetal	Polypropylene
Seat retainer	N/A	Polypropylene
Seat	BUNAN	BUNAN
Adaptor	Polypropylene 30% fiberglass	Polypropylene 30% fiberglass
Adaptor Screw	N/A	Polyamide 6

Used for:

- Natural gas distribution
- Natural gas gathering
- Biogas (methane)
- Hydrocarbon fuel gases
- Hydrogen
- Air
- Other inert gases (helium, argon, neon)
- Potable water and sewage



Our valves are made in conformity with :

- EN 1555-4, ANSI B1640, ISO 10933
- EN 12201
- Sanitary Conformity Attestation
- Most of the worldwide specifications.